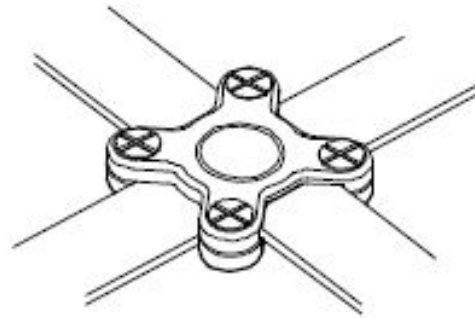


(New design approach)



The ABRE connect copper, aluminum or tinned copper conductor in form of straight through, cross or tee joints and fixing with countersunk woodscrew 1 1/2" x no.10 and wall plug, used in to meet IEC 62561-1.

Square or Junction Test Clamp

Part No.	Conductor Size	Material
CSC05	25mmx2mm	Copper
CSC10	25mmx3mm	Copper
CSC15	25mmx6mm	Copper
CSC20	38mmx6mm	Copper
CSC30	50mmx4mm	Copper
CSC35	50mmx6mm	Copper
CSA05	25mmx2mm	Aluminum
CSA10	25mmx3mm	Aluminum
CSC05T	25mmx2mm	Tinned Copper
CSC10T	25mmx3mm	Tinned Copper
CSC15T	25mmx6mm	Tinned Copper
CSC20T	38mmx6mm	Tinned Copper
CSC30T	50mmx4mm	Tinned Copper
CSC35T	50mmx6mm	Tinned Copper