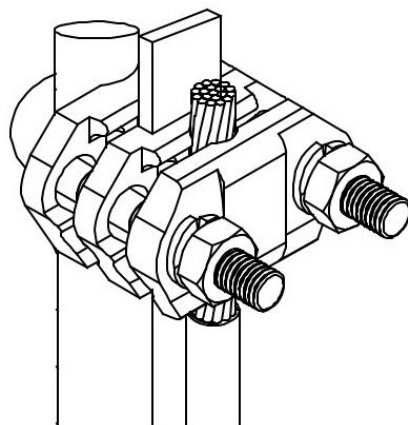


Rod "U" Bolt Coupling (Type U)

Part No.	Nominal Rod Diameter	Maximum Conductor Size (mm ²) or (mm)
RCU16	16mm (5/8")	70-120
RCU20	20mm (3/4")	70-185

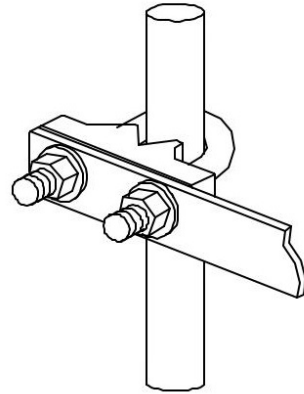
This ABRE clamp rod coupling range of 'U' bolt threaded M10 can be used to connect stranded cable and parallel to earth rod, reinforcing bar (re-bar) or hand rail etc, used in to meet IEC 62561-1.



Rod "U" Bolt Coupling (Type U)

Part No.	Nominal Rod Diameter	Maximum Conductor Size (mm ²) or (mm)
RCT16	16mm (5/8")	70-120 / 25 x 3
RCT20	20mm (3/4")	70-185 / 25 x 3

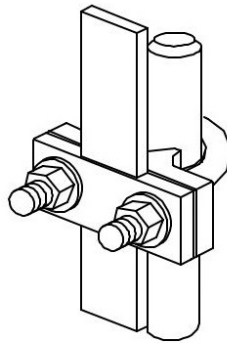
This ABRE clamp rod coupling range of 'U' bolt threaded M10 can be used to connect flat tape and stranded cable parallel to earth rod, reinforcing bar (re-bar) or hand rail etc, used in to meet IEC 62561-1.



Rod "U" Bolt Coupling (Type U)

Part No.	Nominal Rod Diameter	Maximum Conductor Size (mm ²) or (mm)
RCU30	30mm	70-185
RCU40	40mm	185-300
RCU50	50mm	150-300

This ABRE clamp rod coupling range of 'U' bolt threaded M10 can be used to connect flat tape or stranded cable with cable lugs and parallel to earth rod, reinforcing bar (re-bar) or hand rail etc, used in to meet IEC 62561-1.



Rod "U" Bolt Coupling (Type U)

Part No.	Nominal Rod Diameter	Maximum Conductor Size (mm ²) or (mm)
RTU16	16mm (5/8")	25 x 3
RTU20	20mm (3/4")	25 x 3

This ABRE clamp rod coupling range of 'U' bolt threaded M10 can be used to connect flat tape and parallel to earth rod, reinforcing bar (re-bar) or hand rail etc, used in to meet IEC 62561-1.