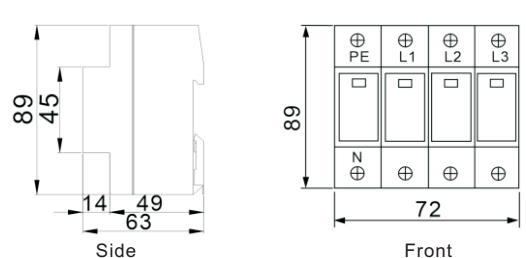
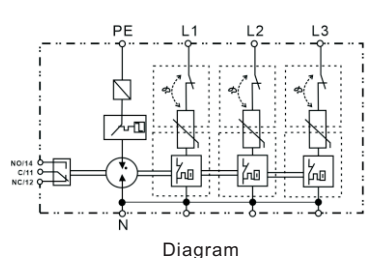
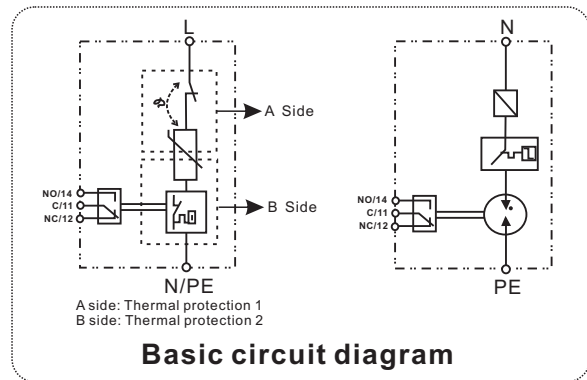
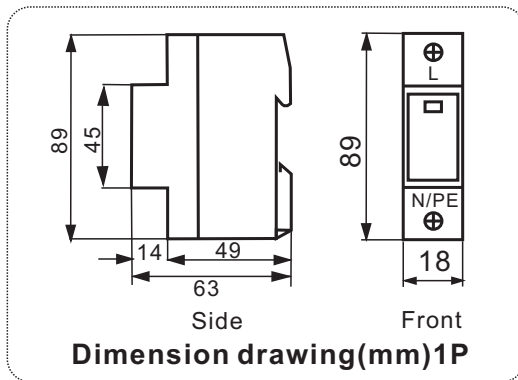
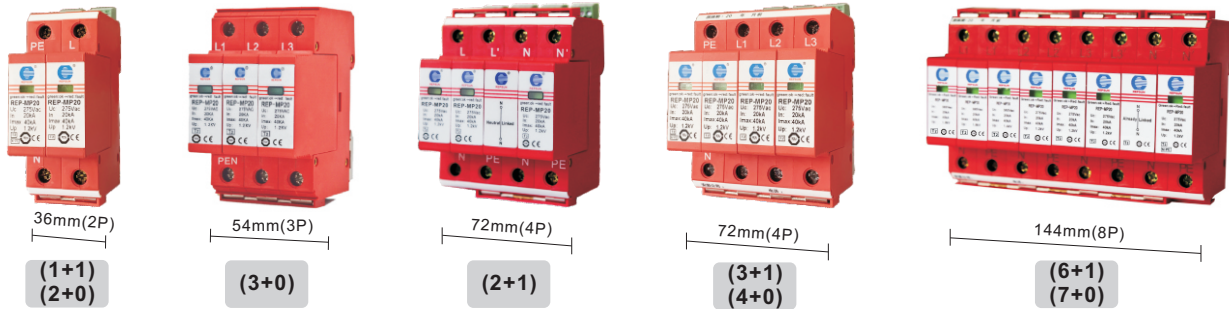


## REP-MP20T2-275-3S

- Type2 surge protector comply with IEC61643-11
- Reliable supervision due to double integrated disconnection devices
- Low voltage protection level
- Optional to use without a fuse
- Pluggable design, 3+1 protection mode
- Remote alarm terminal optional



| Model  | REP-MP20T2-275-3S   |
|--|---|
| The SPD according to IEC 61643-1/-11   | Type 2  |
| Maximum continuous voltage Uc  | 275Vac  |
| Impulse discharge current Iimp (10/350μs)(N-PE)  | 12.5kA  |
| Nominal discharge current In (8/20μs)  | 20kA  |
| Maximum discharge current Imax (8/20μs)  | 40kA  |
| Voltage protection level(U <sub>p</sub> )@In   | 1.2kV   |
| Response time(t <sub>r</sub> )   | 25 ns   |
| Temporary overvoltage(TOV) U <sub>T</sub>  | 385V / 5sec.  |
| Operating temperature range(T <sub>u</sub> )   | -40°C~80°C  |
| Work/Fault indicator   | Green(OK); Red(Fault)   |
| Remote alarm contact   | NO/NC/C, Isolated Form C  |
| Remote alarm contact capability Un/In  | AC:250/0.5A DC:250V/0.1A;75V/0.5A   |
| Remote alarm contact connecting wire   | Max.1.5mm <sup>2</sup> or#16AWG   |
| The minimum cross-sectional area of installation   | 2.5 mm <sup>2</sup> solid/flexible  |
| The maximum cross-sectional area of installation   | 16 mm <sup>2</sup> solid/flexible   |
| Installation   | 35mmDINrail,according to EN 60715   |
| Shell material   | Red thermoplastic material ,UL 94v-0  |
| The installation location  | Indoor  |
| Degree of protection   | IP20  |
| Size   | 4 modules   |
| Certification  | TUV   |
| Dimensions(mm)   | Diagram   |
|  <p>Side</p> <p>Front</p> |  <p>Diagram</p> |



## Features

- Type 2 surge protector SPD; Low voltage protection level
- Reliable safety due to double integrated disconnection devices with double protections
- Optional to use without a back up fuse
- Failure indication window, remote alarm terminal optional

## Datasheet

| Type  | REP-MP20T2-XXX-XS   |               |               |               |               |
|---|---|---------------|---------------|---------------|---------------|
| The SPD according to IEC/EN 61643           | II/T2   |               |               |               |               |
| Maximum continuous voltage Uc [L-N]         | 440Vac  | 385Vac        | 320Vac        | 275Vac        | 150Vac        |
| Maximum continuous voltage Uc [N-PE]        | 275Vac  |               |               |               |               |
| Nominal discharge current(8/20 $\mu$ s)In   | 20kA  |               |               |               |               |
| Maximum discharge current(8/20 $\mu$ s)Imax | 40kA  |               |               |               |               |
| Voltage protection level Up [L-N]           | $\leq 2.0$ kV   | $\leq 1.8$ kV | $\leq 1.5$ kV | $\leq 1.2$ kV | $\leq 1.1$ kV |
| Voltage protection level Up [N-PE]          | $\leq 1.5$ kV   |               |               |               |               |
| Response time                               | 25ns[L-N/PE] / 100ns[N-PE]                                      |               |               |               |               |
| Operating temperature range                 | $-40^{\circ}\text{C} \sim +80^{\circ}\text{C}$                  |               |               |               |               |
| Remote alarm contact                        | Remote alarm contact optional                                   |               |               |               |               |
| Degree of protection                        | IP20  |               |               |               |               |
| Failure indication                          | Red: failure Green: normal                                      |               |               |               |               |
| Enclosure material                          | Thermoplastic; extinguishing degree UL94-V0                     |               |               |               |               |
| Technical feature                           | Double integrated disconnection devices with double protections |               |               |               |               |