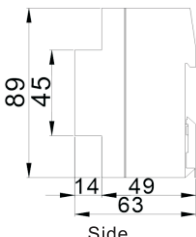
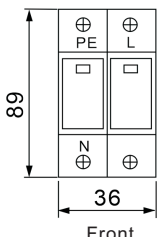
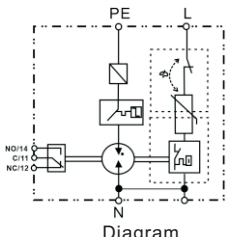
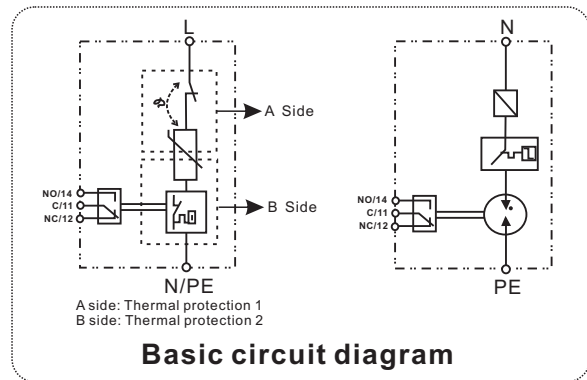
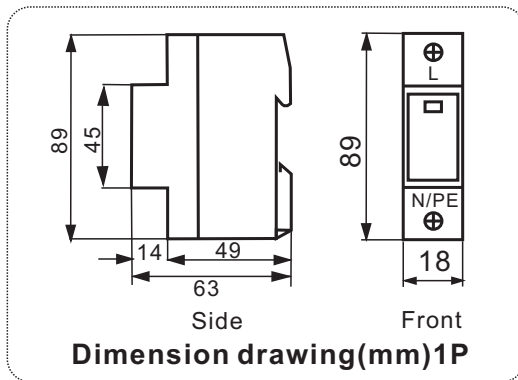
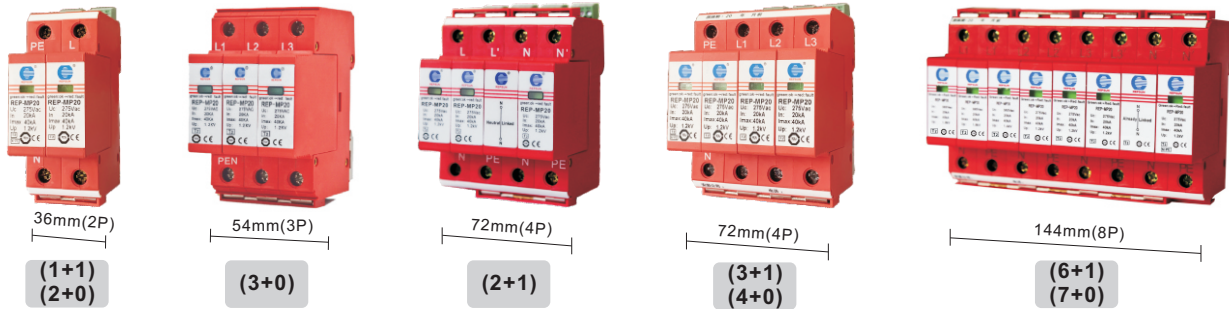


REP-MP20T2-275-1S

- Type2 surge protector comply with IEC61643-11
- Reliable supervision due to double integrated disconnection devices
- Low voltage protection level
- Optional to use without a fuse
- Pluggable design, 1+1 protection mode
- Remote alarm terminal optional



Model	REP-MP20T2-275-1S
The SPD according to IEC 61643-1/-11	Type 2
Maximum continuous voltage Uc	275Vac
Impulse discharge current Iimp (10/350µs)(N-PE)	12.5kA
Nominal discharge current In (8/20µs)	20kA
Maximum discharge current Imax (8/20µs)	40kA
Voltage protection level(U _p)@In	1.2kV
Response time(t.)	25 ns
Temporary overvoltage(TOV) U _T	385V / 5sec.
Operating temperature range(T _u)	-40°C~80°C
Work/Fault indicator	Green(OK); Red(Fault)
Remote alarm contact	NO/NC/C, Isolated Form C
Remote alarm contact capability Un/In	AC:250/0.5A DC:250V/0.1A;75V/0.5A
Remote alarm contact connecting wire	Max. 1.5mm ² or #16AWG
The minimum cross-sectional area of installation	2.5 mm ² solid/flexible
The maximum cross-sectional area of installation	16 mm ² solid/flexible
Installation	35mmDINrail, according to EN 60715
Shell material	Red thermoplastic material ,UL 94v-0
The installation location	Indoor
Degree of protection	IP20
Size	2 modules
Certification	TUV
Dimensions(mm)	Diagram
 <p>Side</p>	 <p>Front</p>
	 <p>Diagram</p>



Features

- Type 2 surge protector SPD; Low voltage protection level
- Reliable safety due to double integrated disconnection devices with double protections
- Optional to use without a back up fuse
- Failure indication window, remote alarm terminal optional

Datasheet

Type	REP-MP20T2-XXX-XS				
The SPD according to IEC/EN 61643	II/T2				
Maximum continuous voltage Uc [L-N]	440Vac	385Vac	320Vac	275Vac	150Vac
Maximum continuous voltage Uc [N-PE]	275Vac				
Nominal discharge current(8/20 μ s)In	20kA				
Maximum discharge current(8/20 μ s)Imax	40kA				
Voltage protection level Up [L-N]	≤ 2.0 kV	≤ 1.8 kV	≤ 1.5 kV	≤ 1.2 kV	≤ 1.1 kV
Voltage protection level Up [N-PE]	≤ 1.5 kV				
Response time	25ns[L-N/PE] / 100ns[N-PE]				
Operating temperature range	$-40^{\circ}\text{C} \sim +80^{\circ}\text{C}$				
Remote alarm contact	Remote alarm contact optional				
Degree of protection	IP20				
Failure indication	Red: failure Green: normal				
Enclosure material	Thermoplastic; extinguishing degree UL94-V0				
Technical feature	Double integrated disconnection devices with double protections				