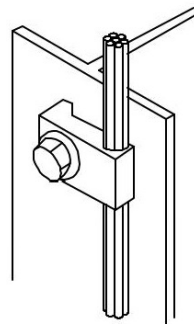
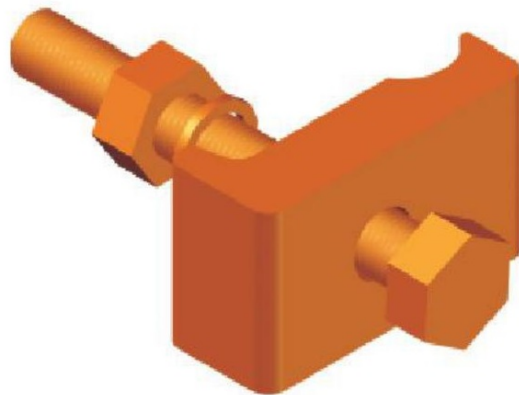


## Metallic B Bond – Cable Connection

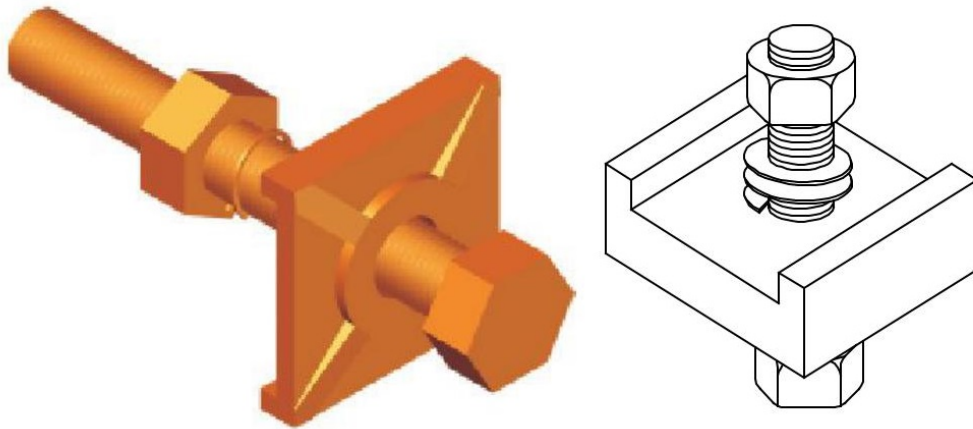
Part No.	Description	Material
BCC50	25mm <sup>2</sup> to 50mm <sup>2</sup> Bolt Size M10	Copper
BCA50		
BCC50T		Tinned Copper
BCC70	70mm <sup>2</sup> to 120mm <sup>2</sup> Bolt Size M10	Copper
BCA70		Aluminum
BCC70T		Tinned Copper



## Metallic Tower Bond – Cable Connection

Part No.	Description	Material
BTC50	25mm <sup>2</sup> to 50mm <sup>2</sup> Bolt Size M10	Copper
BTA50		
BTC50T		Tinned Copper
BTC70	70mm <sup>2</sup> to 120mm <sup>2</sup> Bolt Size M10	Copper
BTA70		Aluminum
BTC70T		Tinned Copper

This ABRE Metallic 'B' and tower bond are used for bonding copper, aluminum or tinned copper cables to flat metal surfaces, steel structures or aluminum cladding and structure to meet IEC 62561-1.



## Metallic B Bond – Tape Connection

Part No.	Maximum Tape Width	Material
BBC10	25 mm	Copper
BBA10	Bolt Size	Aluminum
BBC10T	M10	Tinned Copper

This ABRE Metallic 'B' bond is used for bonding copper, aluminum or tinned coppertapes to flat metal surfaces, steel structures or aluminum cladding and structure to meet IEC 62561-1.