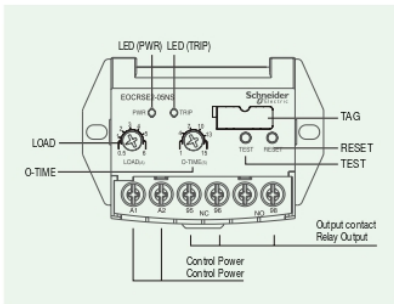


# EOCR-SE2

## Economical Electronic Over Current Relay



EOCR-SE2



※ Micro compact size

- Over current/phase loss/locked rotor protection (phase loss/locked rotor is operated by over current)
- Start delay/operation delay all-in-one type
- Manual (reset)/electrical (remote) reset
- Super energy-saver
- No-voltage release/Fail-safe operation→ N type
- Appropriate for protection of direct on line/universal small-sized motor
- Easy wiring

### Protection Function

Protected Items	Operation Time
Over Current	O-TIME
Phase Loss	O-TIME
Locked Rotor	O-TIME

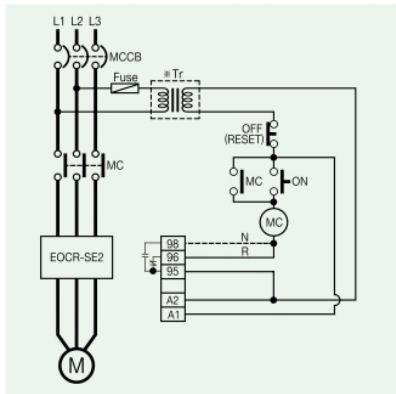
### Usage

- For protection of universal motors
- For protection of direct on line small-sized motors

### Specifications

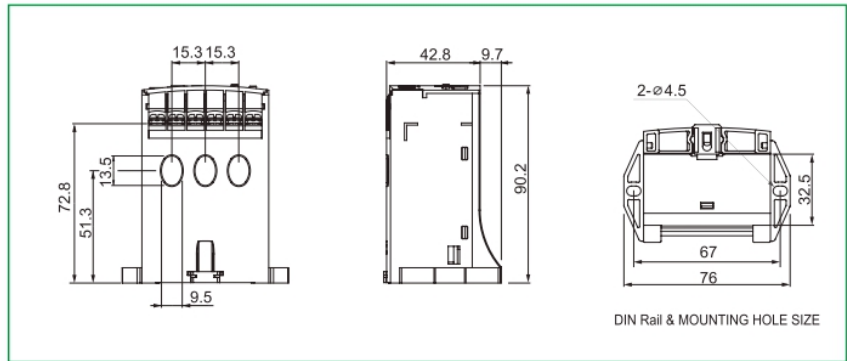
<b>Current Setting</b>	Type	Setting Range	
	5	0.5~6A	
	30	3.0~30A	
	60	5.0~60A	
<b>Operation Time Setting</b>	O-TIME	0.5~15 sec	
<b>Reset</b>	Manual (instant)/electrical (remote) reset		
<b>Operation Time Characteristic</b>	Definite		
<b>Operating Power Supply</b>	Voltage	24~240V AC/DC	
	Frequency	50/60Hz	
<b>Auxiliary Contact</b>	Type	1-SPDT (1c)	
	State	R	Normally de-energized
		N	Normally energized
Rating	AC250V/3A resistive load		
<b>Attachment</b>	For both Panel/35mm DIN Rail		

# EOCR-SE2



EOCR-SE2

※\*N\*(Fail safe)Type converts 95↕96 to open and 95(97)↕98 to close when operating power is supplied to A1 and A2 (or L1 and L2).



EOCR-SE2

DIN Rail & MOUNTING HOLE SIZE

## How to Order

Reference	Current Range [A]	Output Contact	Operating Power Supply		Notes	
			Voltage [V]	Frequency [Hz]		
EOCRSE2	-05NS	5	N	24~240V AC/DC	50/60	For both Panel/DIN Rail
	-05RS	5	R	24~240V AC/DC	50/60	For both Panel/DIN Rail
	-30NS	30	N	24~240V AC/DC	50/60	For both Panel/DIN Rail
	-30RS	30	R	24~240V AC/DC	50/60	For both Panel/DIN Rail
	-60NS	60	N	24~240V AC/DC	50/60	For both Panel/DIN Rail
	-60RS	60	R	24~240V AC/DC	50/60	For both Panel/DIN Rail

## Ordering Example

e.g., To order a EOCR-SE2:

**E O C R S E 2 - 0 5 N S**

①
②
③

①	Current Range	5	0.5~6A
		30	3~30A
		60	5~60A
②	Output Contact State	N	Normally Energized
		R	Normally De-energized
③	Operating Power Supply/Frequency	S	24~240V AC/DC, 50/60Hz