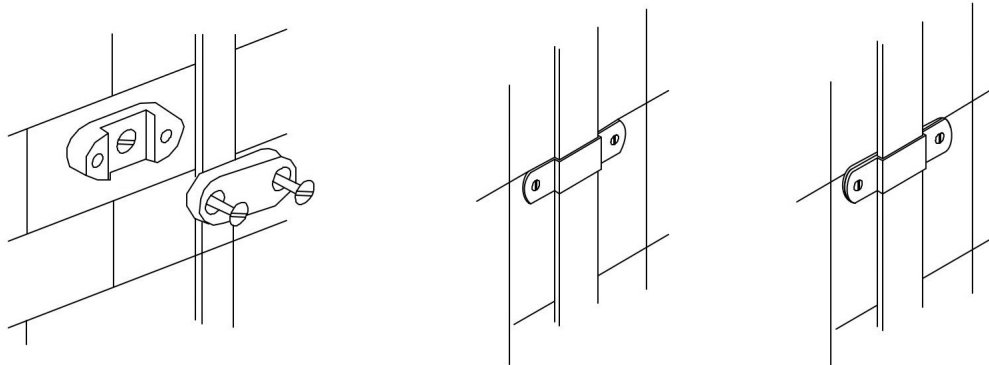
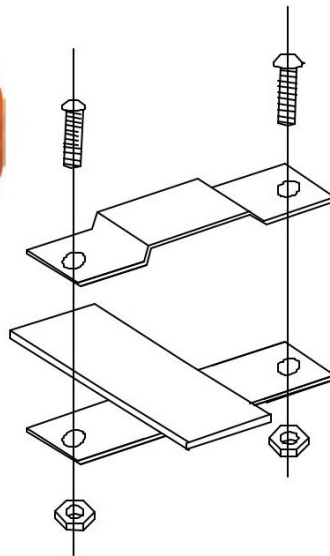
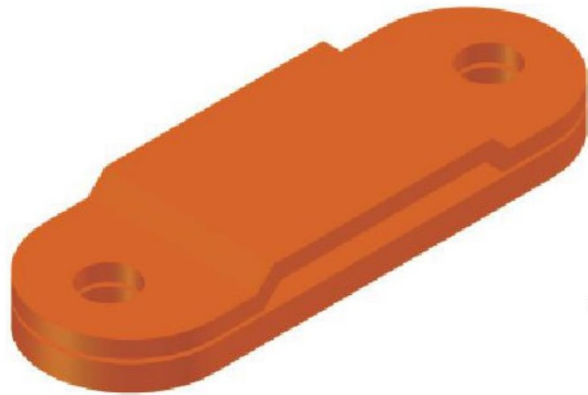
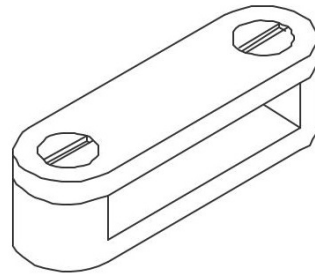
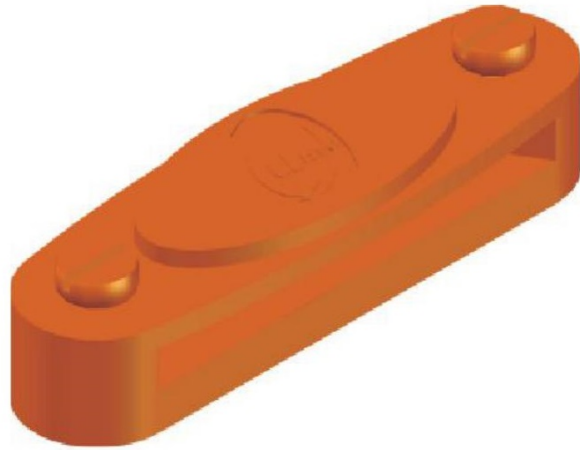


## Tape Clip – DC, Flat and Flat With Base Types

Part No.	Conductor Size	Material
CDB05	25mmx2mm	Copper
CDB10	25mmx3mm	Copper
CDA05	25mmx2mm	Aluminum
CDA10	25mmx3mm	Aluminum
CDB05T	25mmx2mm	Tinned Copper
CDB10T	25mmx3mm	Tinned Copper
CDE05	25mmx2mm	Copper
CDE10	25mmx3mm	Copper
CDG05	25mmx2mm	Aluminum
CDG10	25mmx3mm	Aluminum
CDE05T	25mmx2mm	Tinned Copper
CDE10T	25mmx3mm	Tinned Copper
CDF05	25mmx2mm	Copper
CDF10	25mmx3mm	Copper
CDH05	25mmx2mm	Aluminum
CDH10	25mmx3mm	Aluminum
CDF05T	25mmx2mm	Tinned Copper
CDF10T	25mmx3mm	Tinned Copper



This ABRE DC and Tape Clip suitable fix copper, aluminum or tinned copper tape conductors and material made from high quality copper, aluminum alloys and aluminum or tinned. And installation fixing with countersunk woodscrew 1 1/2" x no.10 and wall plug, used DC and Flat Type to meet IEC 62561-4.



## Tape Clip – DC

Part No.	Conductor Size	Material
CDB15	25mmx6mm	Copper
CDB20	38mmx6mm	Copper
CDB30	50mmx4mm	Copper
CDB35	50mmx6mm	Copper
CDB15T	25mmx6mm	Tinned Copper
CDB20T	38mmx6mm	Tinned Copper
CDB30T	50mmx4mm	Tinned Copper
CDB35T	50mmx6mm	Tinned Copper
CDE15	25mmx6mm	Copper
CDE20	38mmx6mm	Copper
CDE30	50mmx4mm	Copper
CDE35	50mmx6mm	Copper
CDE15T	25mmx6mm	Tinned Copper
CDE20T	38mmx6mm	Tinned Copper
CDE30T	50mmx4mm	Tinned Copper
CDE35T	50mmx6mm	Tinned Copper

This ABRE DC Tape and Flat Clip suitable fix copper or tinned copper tape conductors and material made from high quality copper and aluminium alloy or tinned. And installation fixing with countersunk woodscrew 1 1/2" x no.10 and wall plug, used DC and Flat Type to meet IEC 62561-4.