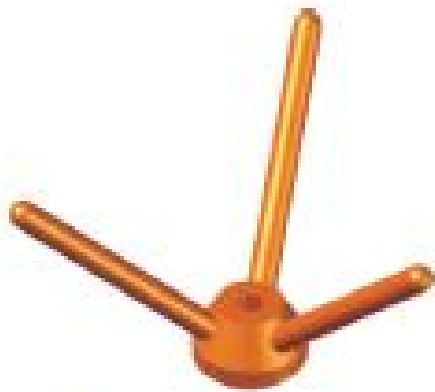






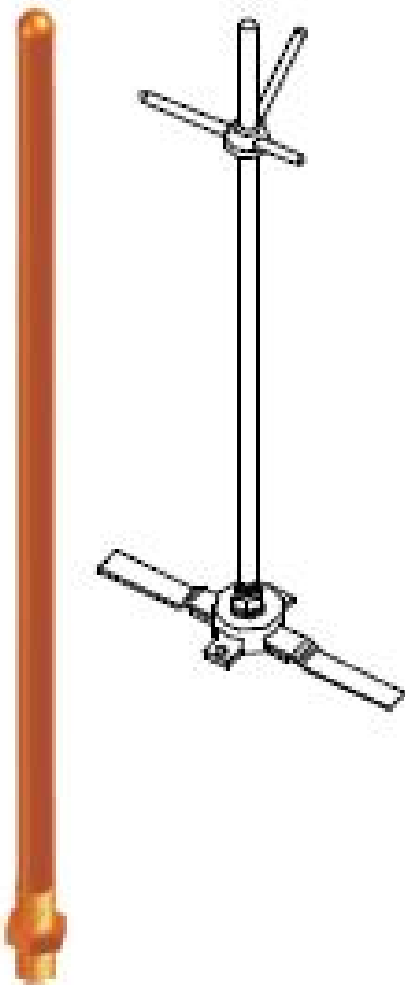


| ABRE Lightning Protection System - Flat Tape System



Air Terminal – Multiple Point

Part No.	Diameter	Material
AMC16	16mm	Copper
AMC20	20mm	Copper
AMA16	16mm	Aluminium
AMA20	20mm	Aluminium
AMC16T	16mm	Tinned Copper
AMC20T	20mm	Tinned Copper



This ABRE suitable for use with copper, aluminium and tinned copper air terminals to meet BS EN 13601.

Air Terminal – Air rod

Part No.	Rod Length	Diameter	Material
ATC12	500mm	16mm	Copper
ATC14	1000mm	16mm	Copper
ATC16	1500mm	16mm	Copper
ATC18	2000mm	16mm	Copper
ATC22	500mm	20mm	Copper
ATA12	500mm	16mm	Aluminium
ATA14	1000mm	16mm	Aluminium
ATA16	1500mm	16mm	Aluminium
ATA18	2000mm	16mm	Aluminium
ATA22	500mm	20mm	Aluminium
ATC12T	500mm	16mm	Tinned Copper
ATC16T	1500mm	16mm	Tinned Copper
ATC18T	2000mm	16mm	Tinned Copper
ATC22T	500mm	20mm	Tinned Copper

ABRE provide, proven and visible on sharp corners of buildings, pointed tips of spires, exposed edges of horizontal roofs and the ends of roof ridges. And field application in many countries in Asian have confirmed that blunt copper, aluminium or tinned copper air rods are the best design by lightning in preference to taper pointed copper air rods to meet BS EN 13601.